



MASTER CosmoWhite CPO-TW & CPO-TW Xtra

MASTER CosmoWhite CPO-TW Xtra 45W/628 PGZ12

New-generation ceramic metal halide lamps used in Outdoor offering efficient and pleasant white light

Warnings and Safety

- Use only in totally enclosed luminaire, even during testing (IEC61167, IEC 62035, IEC60598)
- The luminaire must be able to contain hot lamp parts if the lamp ruptures
- Use only with electronic control gear
- Control gear must include end-of-life protection (IEC61167, IEC 62035)

Product data

General Information		Luminous efficacy (rated) (nom.)	
Cap base	PGZ12 [PGZ12]		110 lm/W
Operating position	UNIVERSAL [Any or Universal (U)]	Colour rendering index (CRI)	66
Flux measurement reference	Sphere	Arc Length O (Nom)	14 mm
Life to 50% failures (nom.)	32,000 h	Operating and Electrical	
Light Technical		Power Consumption	44.5 W
Colour Code	628 [CCT of 2800K]	Voltage (nom.)	91 V
Luminous Flux	4,900 lm	Voltage (nom.)	91 V
Colour designation	White (WH)	Controls and Dimming	
Chromaticity Coordinate X (Nom)	0.447	Dimmable	Yes
Chromaticity Coordinate Y (Nom)	0.4		
Correlated Colour Temperature	2800 K		

MASTER CosmoWhite CPO-TW & CPO-TW Xtra

Mechanical and Housing

Lamp Finish	Clear
Bulb shape	T19 [T 19 mm]

Approval and Application

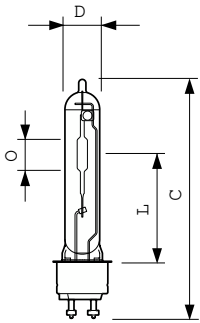
Energy Efficiency Class	F
Mercury (Hg) content (max.)	2 mg
Mercury (Hg) content (nom.)	2.0 mg
Energy consumption kWh/1,000 hours	45 kWh
EPREL registration number	473336

Product Data

Order product name	MST CosmoWh CPO-TW Xtra 45W/628 PGZ12
--------------------	---------------------------------------

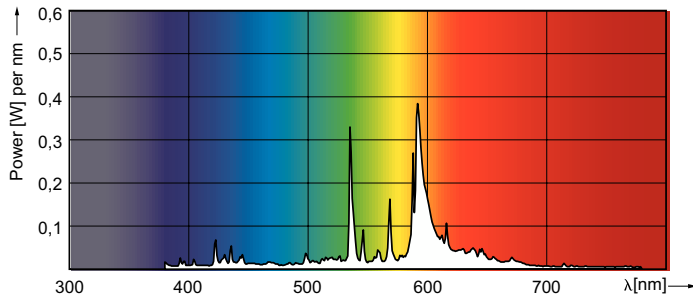
Full product name	MASTER CosmoWhite CPO-TW Xtra 45W/628 PGZ12
Full EOC	871829115001500
Local code description	015689.000
Order code	15001500
Material no. (12 NC)	928083805127
Local order code	.
SAP numerator – quantity per pack	1
EAN/UPC – Product/Case	8718291150015
Numerator – packs per outer box	12
EAN/UPC – Case	8718291150022

Dimensional drawing

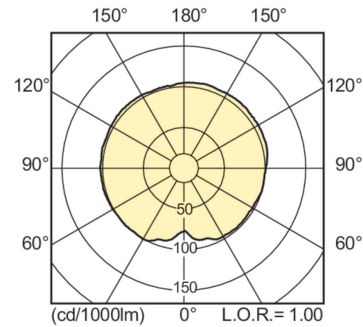


Product	D (max)	D	O	L	C (max)
MST CosmoWh CPO-TW Xtra 45W/628 PGZ12	20 mm	19 mm	14 mm	59 mm	132 mm

Photometric data



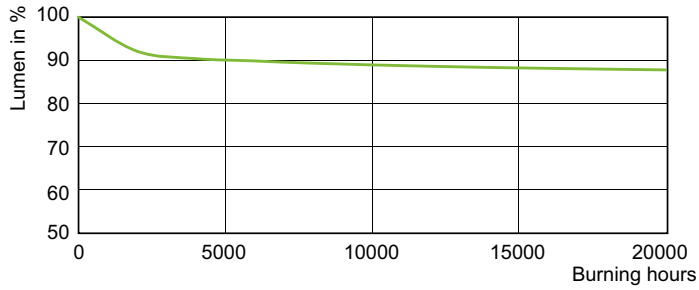
Spectral Power Distribution Colour - MST CosmoWh CPO-TW Xtra 45W/628 PGZ12



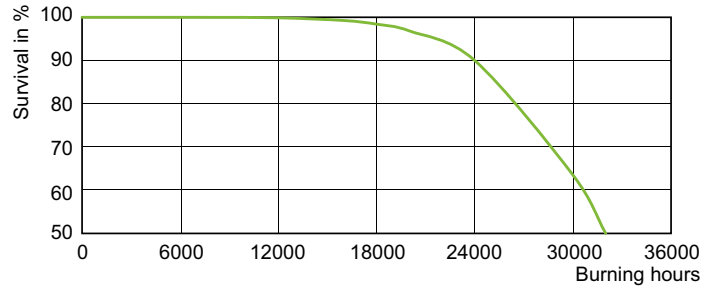
Light Distribution Diagram - MST CosmoWh CPO-TW Xtra 45W/628 PGZ12

MASTER CosmoWhite CPO-TW & CPO-TW Xtra

Lifetime



Lumen Maintenance Diagram - MST CosmoWh CPO-TW Xtra 45W/628 PGZ12



Life Expectancy Diagram - MST CosmoWh CPO-TW Xtra 45W/628 PGZ12

